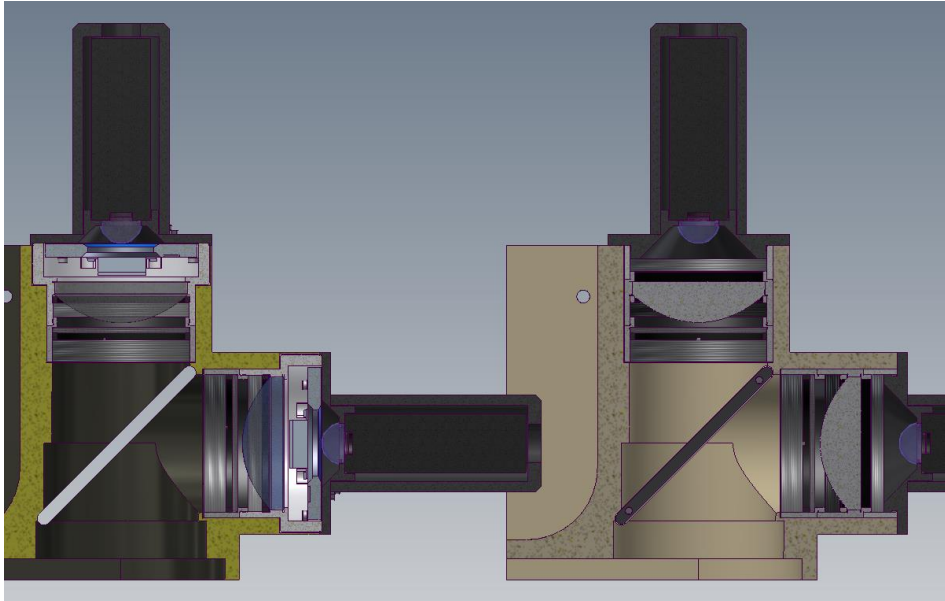


2017-03 Shutter Upgrade for the Mesoscope

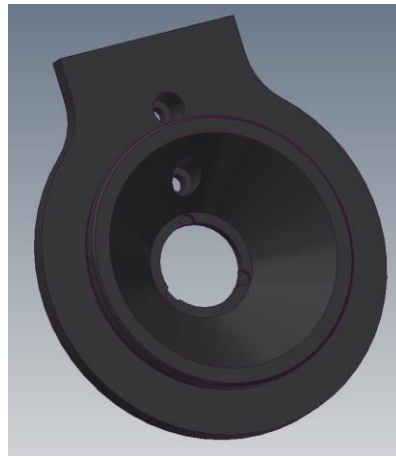
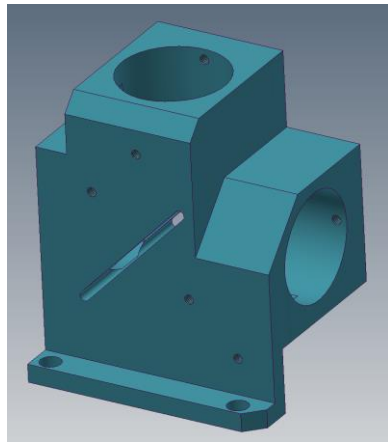
New

Existing



The parts below need to be machined-

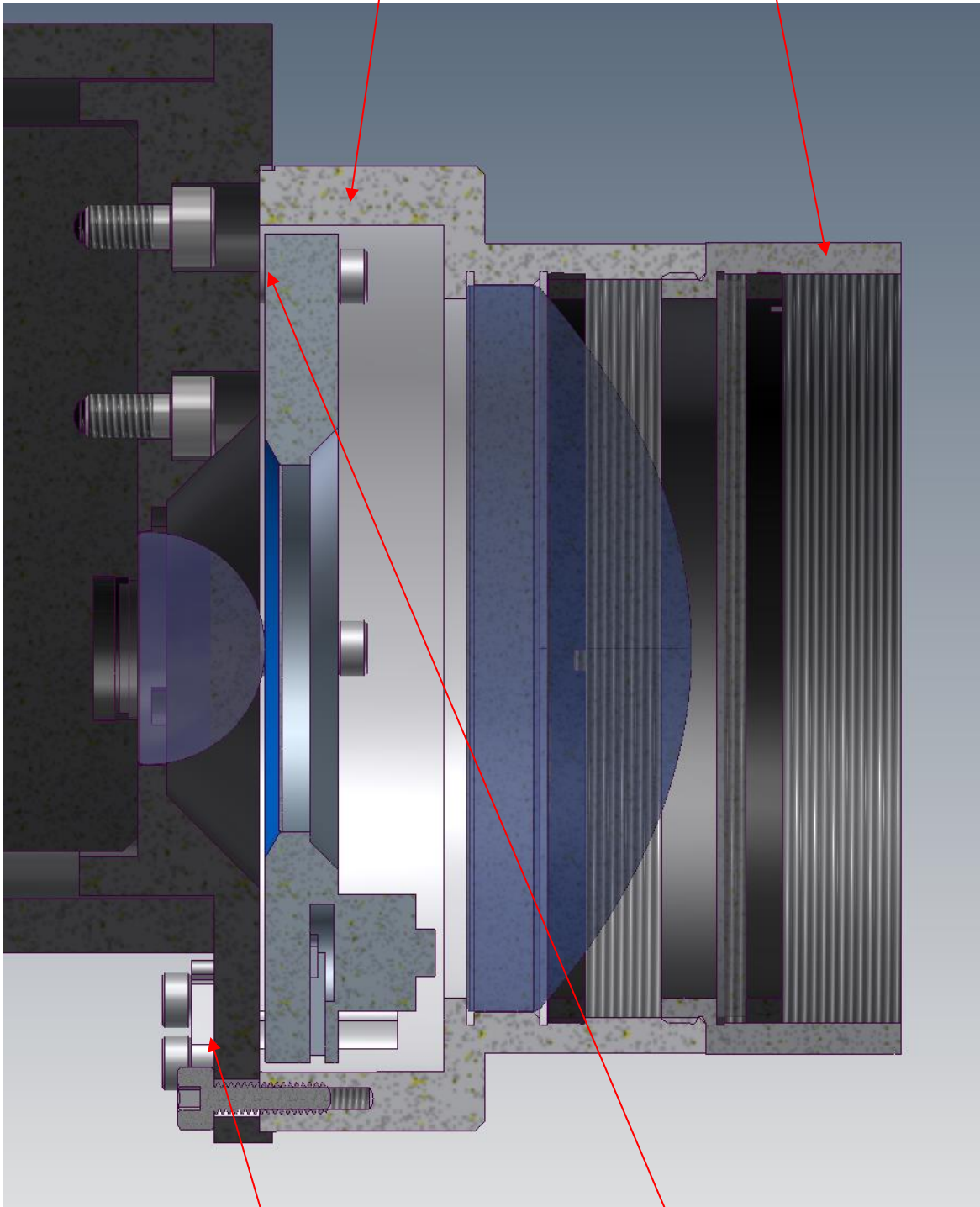
The UpperDetArmBase and 2 pieces of the PMTMountPlate



Then reinstall parts as shown below.

New part, mounts with M2.5 x 8 SHCS

Existing Thor SM2L05 Lens Tube and Emission Filter



Wire Cover-new part mounts with M2 x 4 SHCS

Shutter and spacer washers (McMaster-Carr part # 90945A705) as needed, mounts with M2 x 8 SHCS